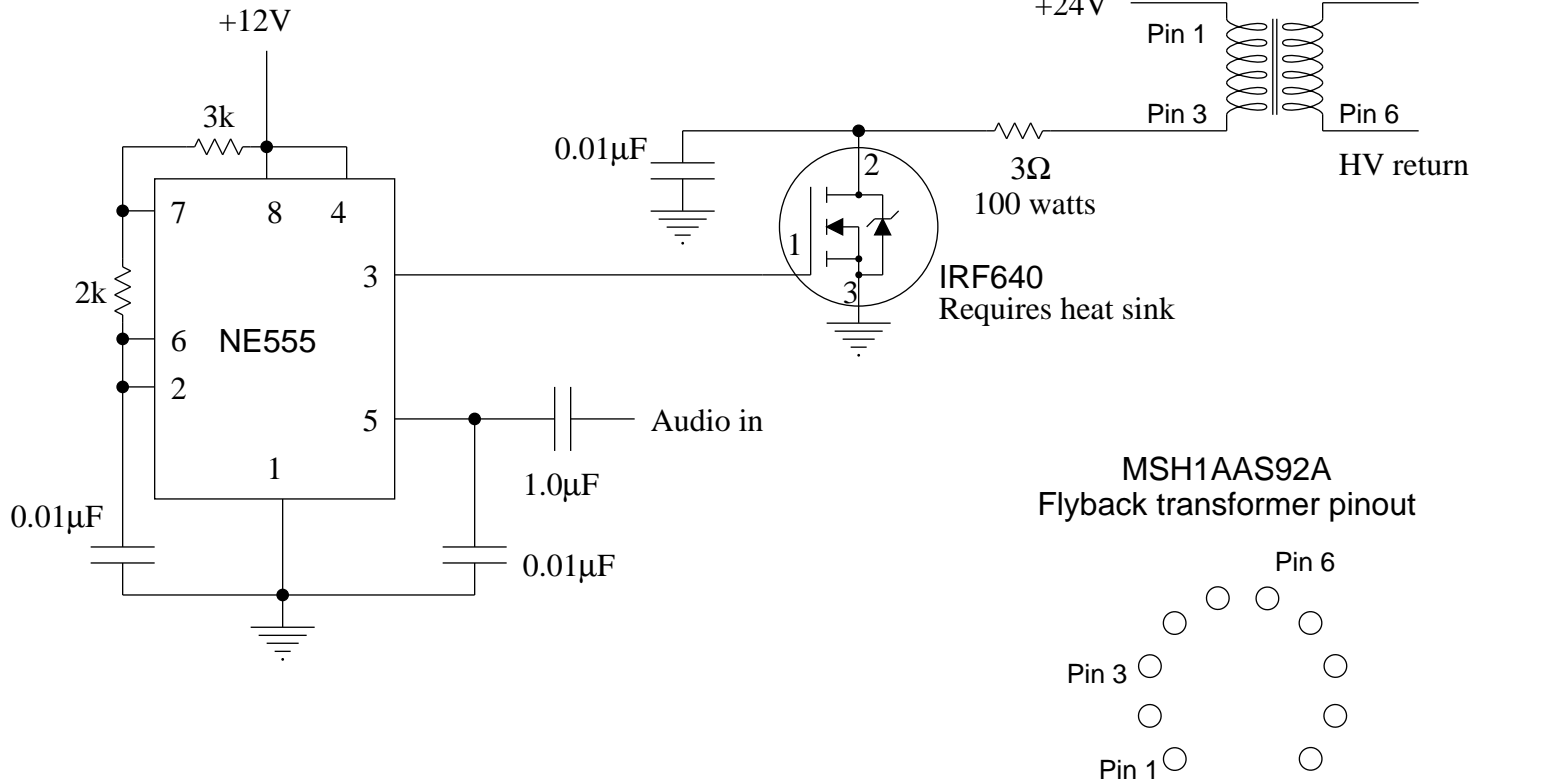


# Plasma speaker circuit

You can use a 7812 12 volt regulator to obtain 12 volts DC from the 24 volt DC power supply.



Note: the flyback transformer also contains internal diodes, so the pins can not be interchanged.

Most components can be found at Jameco, Digikey, Mouser or other electronics distributors

Flyback transformer is Goldmine Electronics Item number G17744

<http://www.goldmine-elec-products.com/prodinfo.asp?number=G17744>

24 volt, 6 amp power supplies are available from Circuit Specialists and All Electronics

<http://www.circuitspecialists.com/enclosed-switching-power-supplies>

<http://www.allelectronics.com/make-a-store/category/480/Power-Supplies/1.html>

100 watt 3 ohm resistors can be found on ebay

Circuit is based on [http://www.youtube.com/watch?v=xv\\_MS9nBZyw](http://www.youtube.com/watch?v=xv_MS9nBZyw)