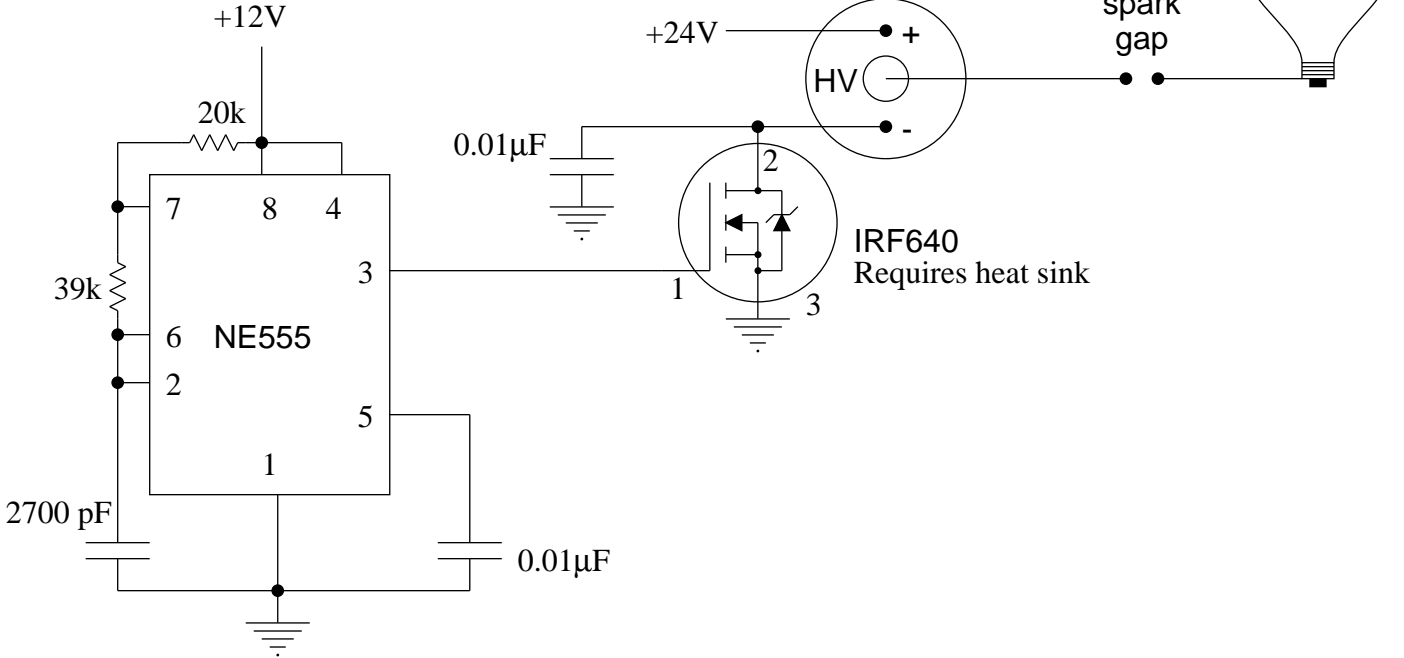


Plasma ball circuit

Clear globe
incandescent
light bulb

You can use a 7812 12 volt regulator to obtain 12 volts DC from the 24 volt DC power supply.



Notes:

This circuit radiates a fair amount of power. Fluorescent light bulbs and neon light bulbs will glow faintly. LEDs will glow if you attach an antenna (2 ft piece of wire) to one LED lead and ground the other lead.

This circuit radiates a fair amount of power. Fluorescent light bulbs and neon light bulbs will glow faintly. LEDs will glow if you attach an antenna (2 ft piece of wire) to one LED lead and ground the other lead.

I used a UC12T ignition coil, although I suspect similar ignition coils will also work with this circuit. Use a large paper clip to connect to the central high voltage terminal of the ignition coil.

Most components can be found at Jameco, Digikey, Mouser or other electronics distributors

Any 555 timer chip can be used in this circuit.

In particular, more modern CMOS version of the 555 work well.

24 volt power supplies are available from Circuit Specialists and All Electronics

<http://www.circuitspecialists.com>

<http://www.allelectronics.com>

I usually place a 1 microFarad mylar decoupling capacitor between 12V and ground powering the 555.