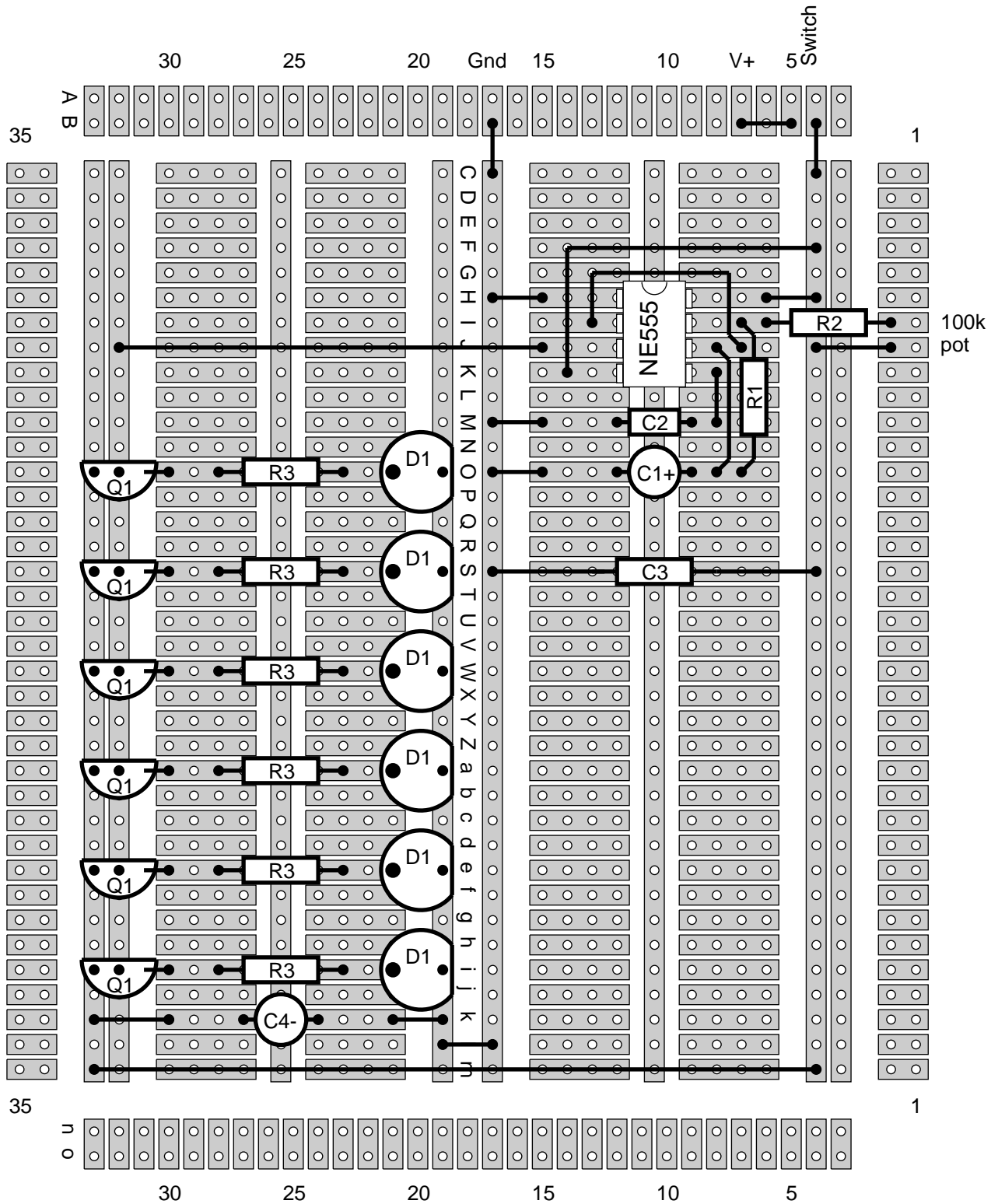


LED strobe



- | | | |
|-------------------|------------------|----------------|
| C1 = 10 μ F | R1 = 10 Ω | Q1 = 2N3906 |
| C2 = 0.01 μ F | R2 = 1k | D1 = White LED |
| C3 = 1.0 μ F | R3 = 47 Ω | |
| C4 = 470 μ F | | |